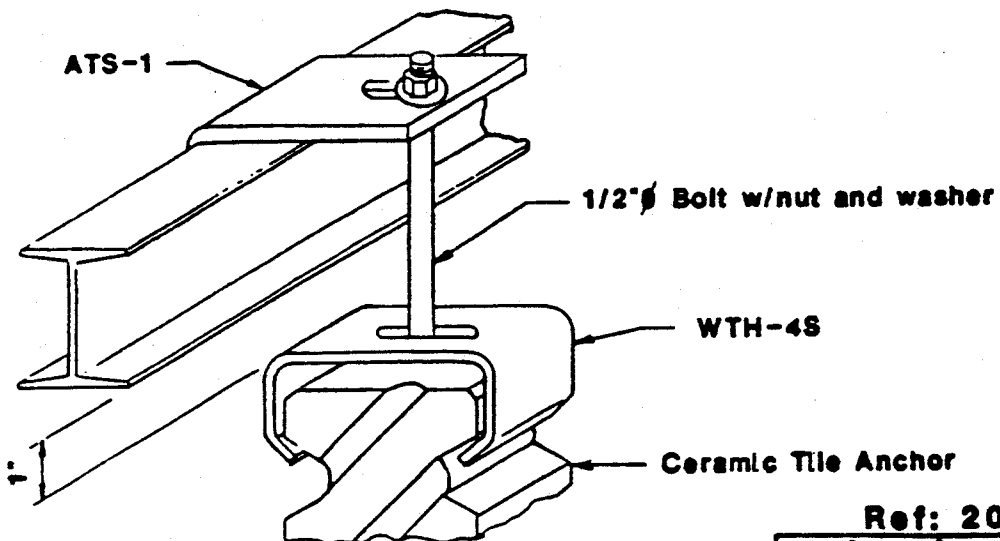
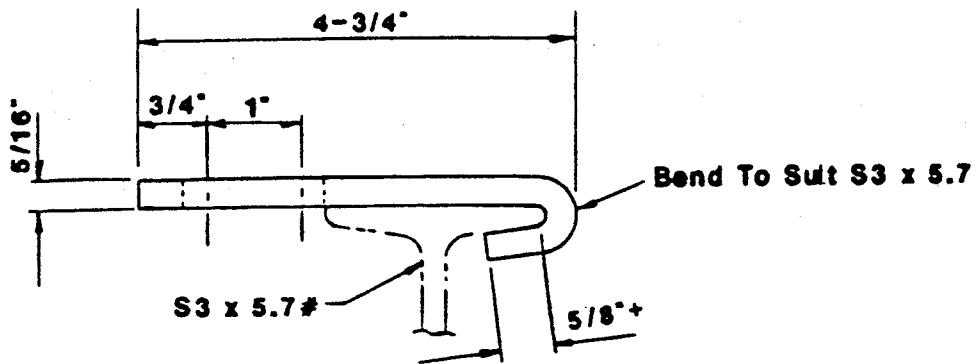


Material: ASTM-A36 Steel



Ref: 20100-ATSt

Plibrico Company
 REFRACTORY ENGINEERING & CONSTRUCTION FOR
 BOILERS - INCINERATORS - INDUSTRIAL FURNACES
 CHICAGO, ILLINOIS NATIONWIDE SERVICE

ATS-1
Roof Tile Hanger

9/92 No. 15

This drawing is the property of the Plibrico Company and is loaned without consideration other than the borrower's agreement that it shall not be reproduced, copied, loaned, or disposed of, directly or indirectly, nor used for any purpose other than that for which it is specifically furnished.