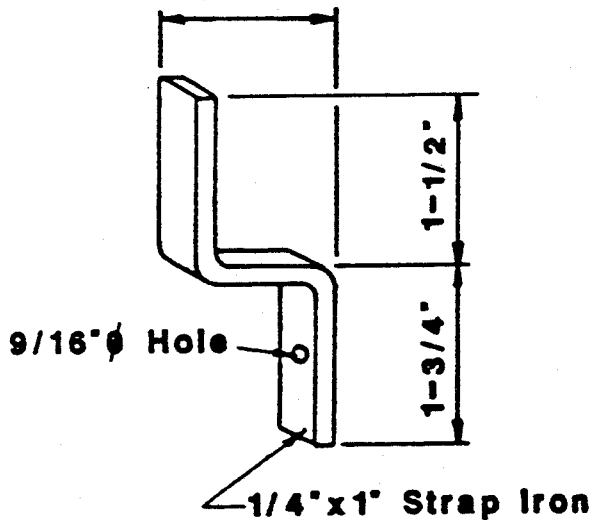


No. H4

Standard Male Hook Anchor  
for embedding in common brick

- Z1=1-5/8"
- Z1-1/2=2-1/8"
- Z2=2-5/8"
- Z3=3-5/8"
- Z4=4-5/8"
- Z5=5-5/8"



Z-Clips

For insulated steel casing work specify  
 insulation thickness when ordering  
 also use as precast anchors

Material: Mild Steel  
 Service Temp: 600F

Ref: B-177

**Plibrico Company**  
 REFRACTORY ENGINEERING & CONSTRUCTION FOR  
 BOILERS, INCINERATORS, INDUSTRIAL FURNACES  
 CHICAGO, ILLINOIS      NATIONWIDE SERVICE

Fabricated  
 Flexo Anchors

DATE 9/92	DRAWN BY	No.	29
--------------	----------	-----	----

This drawing is the property of the Plibrico Company and is loaned without consideration other than the borrower's agreement that it shall not be reproduced, copied, loaned, or disposed of, directly or indirectly, nor used for any purpose other than that for which it is specifically furnished.