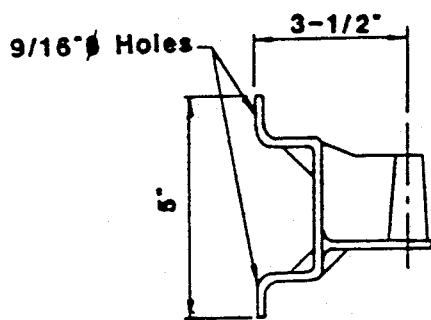
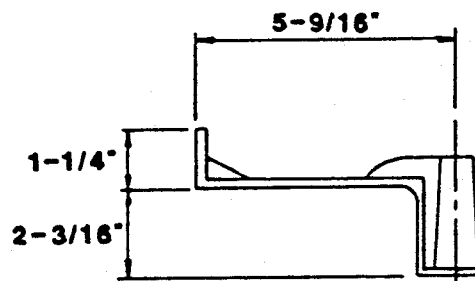


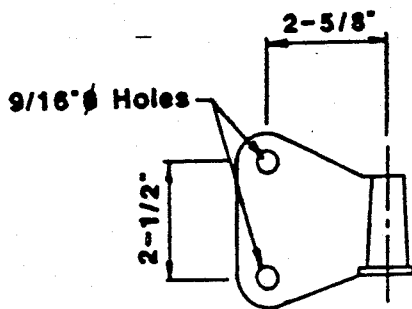
**AWS Alloy Wall Seat**



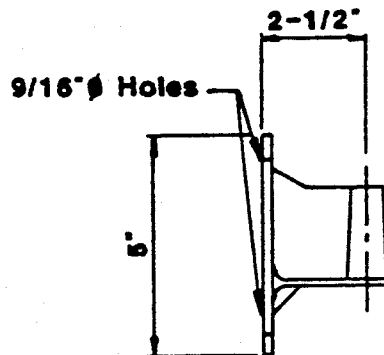
**SW4 Alloy Wall Bracket**



**SW Alloy Wall Bracket**



**SW3 Alloy Bracket**



**SW2 Alloy Wall Bracket**

This drawing is the property of the Plibrico Company and is loaned without consideration unless the borrower's agreement that it shall not be reproduced, copied, loaned, or disposed of, directly or

Material: 309 S.S.  
Service Temp: 1800F

Ref: B-177-5

**Plibrico Company**  
REFRACTORY ENGINEERING & CONSTRUCTION FOR  
BOILERS - INCINERATORS - INDUSTRIAL FURNACES  
CHICAGO, ILLINOIS      NATIONWIDE SERVICE

**Cast Alloy Wall  
Supports & Brackets**