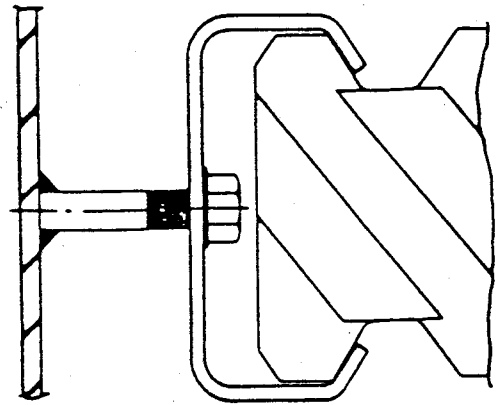
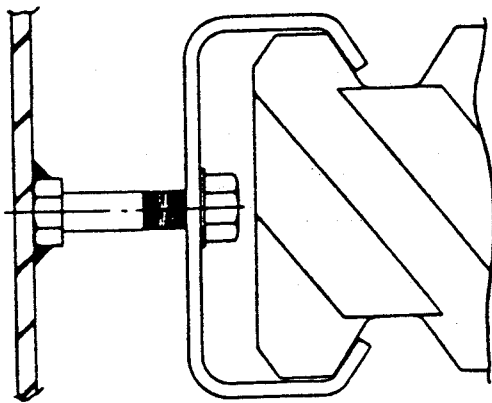


Thru Bolt

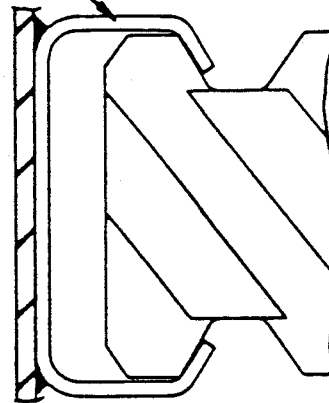


Stud

WTH-4S



Welded Bolt



Welded Clip

WALL THICKNESS	TILE SIZE	1/2" Ø WELDED BOLT	1/2" Ø WELDED STUD	1/2" Ø THRU BOLT
9-1/2"	T-12	*	*	2-1/2" LG
10-1/2"	T-12	1-1/2" LG	2" LG	3" LG
12"	T-13	*	*	2-1/2" LG
13-1/2"	T-13	2-1/4" LG	2-1/2" LG	3-3/4" LG
14"	T-14	*	*	2-1/4" LG
15-1/2"	T-14	1-3/4" LG	2-1/4" LG	3-1/4" LG
16-1/2"	T-15	*	*	2-1/4" LG
18"	T-15	2" LG	2-1/4" LG	3-1/2" LG

NOTE: If bolt needs double-nut at casing plate for thru bolts, add 1/2" to length of specified bolt.

* = No bolt needed.
Weld WTH-4S to casing.

Ref: B-177-9

Plibrico Company
REFRACTORY ENGINEERING & CONSTRUCTION FOR
BOILERS · INCINERATORS · INDUSTRIAL FURNACES
CHICAGO, ILLINOIS NATIONWIDE SERVICE

**Ceramic Tiles as
Wall Anchors**

DATE 9/92 No. 7

This drawing is the property of the Plibrico Company and is loaned without consideration other than the borrower's agreement that it shall not be reproduced, copied, loaned, or disposed of, directly or indirectly, nor used for any purpose other than that for which it is specifically furnished.