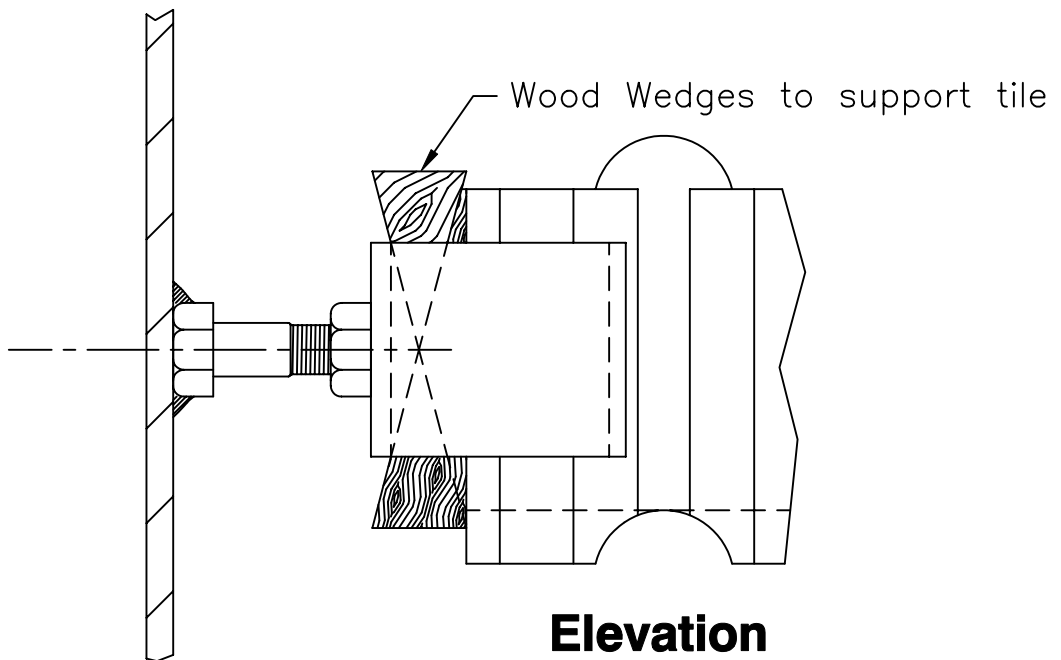


Plan



Elevation

NOTE: Use chart on preceding page for bolt/stud sizes.

Plibrico Company

Refractory Engineering & Construction for
Boilers * Incinerators * Industrial Furnaces.
Chicago, Illinois Nationwide Service

Ceramic Tile for plicast
or HyRate Applications

REDRAWN BY: LC	SCALE: N.T.S.
REDRAWN DATE: 5/03	ORIG. DATE: 9/92

REV.	No. 8
------	-------

This drawing is the property of PLIBRICO COMPANY and is loaned without consideration other than the borrower's agreement that it shall not be reproduced, copied, loaned or disposed of, directly or indirectly, nor used for any purpose other than that for which it is specifically furnished.