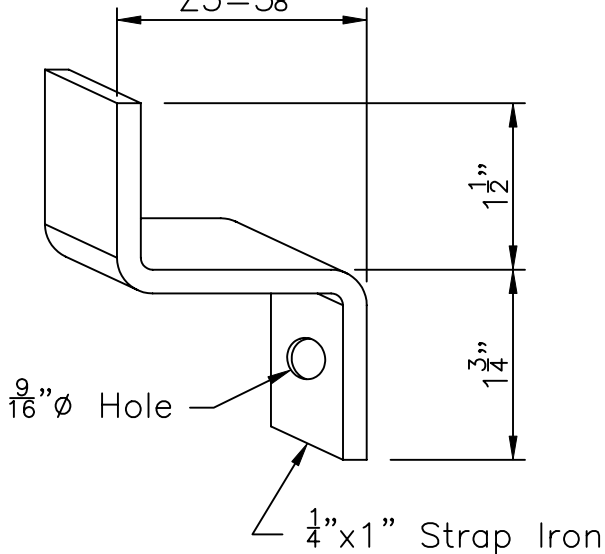


No. H4
Standard Male Hook Anchor
for embedding in common brick

- Z1 = 1 5/8"
- Z1 1/2 = 2 1/8"
- Z2 = 2 5/8"
- Z3 = 3 5/8"
- Z4 = 4 5/8"
- Z5 = 5 5/8"



Z-Clips

For insulated steel casing work specify
 Insulation thickness when ordering
 also use as plicast anchors

Material: Mild Steel
Service Temp: 600F

ref: B-177

Plibrico Company

Refractory Engineering & Construction for
 Boilers * Incinerators * Industrial Furnaces.
 Chicago, Illinois Nationwide Service

Fabricated
 Flexo Anchors

REDRAWN BY:	LC	SCALE:	N.T.S.
REDRAWN DATE:	5/03	ORIG. DATE:	9/92
REV.	No. 29		

This drawing is the property of PLIBRICO COMPANY and is loaned without consideration other than the borrower's agreement that it shall not be reproduced, copied, loaned or disposed of, directly or indirectly, nor used for any purpose other than that for which it is specifically furnished.